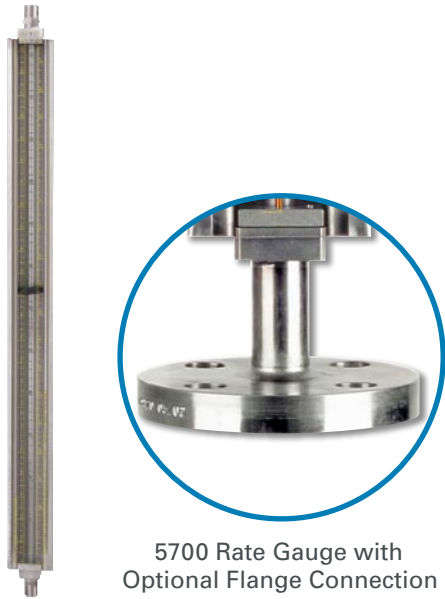


INJECTION RATE GAUGES

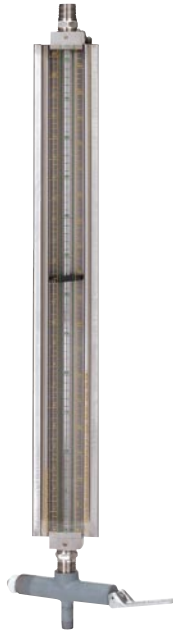
The 5700, 7000 and 17000 series gauges are armored rate setting gauges with NPT or flanged connections at each end. These gauges provide a visual means for setting and monitoring the pump rate of a chemical metering pump. The gauges operate in low to medium pressure applications.

5700 RATE GAUGE
WITH 1/2" CONNECTIONS



5700 Rate Gauge with
Optional Flange Connection

7000 RATE GAUGE
WITH 3/4" TEST VALVE
CONNECTION



17000 RATE GAUGE
WITH 1" CONNECTIONS



*Now Available
with all Standard
Shield Options*

5700, 7000 AND 17000 SERIES GAUGE SPECIFICATIONS

The armored design of the gauge offers maximum protection for the sight tube from mechanical impact. Three sides of the gauge are protected with a metal frame, while the face of the gauge is protected with an impact resistant polycarbonate shield. This shield can be custom calibrated to read tank volume or any other desired calibration. A wide variety of wetted materials and seals are available to ensure compatibility with whatever fluid is being used. For mounting purposes, a mounting lug is welded to the back of the gauge.

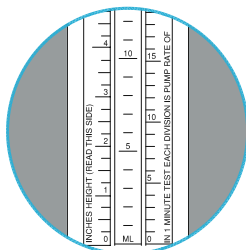
The 5700 rate gauge has 1/2" MNPT x 3/8" FNPT threaded process connections. 1/2" to 2" flanged process connections are also available. The standard sight tube is 5/8" O.D. glass. Other sight tube options are also available upon request.

The 7000 Injection Rate Gauge is of the same construction as the 5700 gauge but is provided with a spring-loaded test valve similar to the valve supplied on the 779 Drum Gauge. The test valve is used to isolate the chemical supply tank from the gauge to conduct a one minute calibration test for the chemical pump.

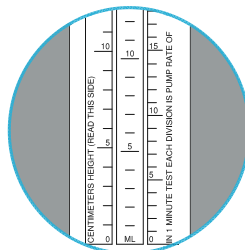
The 17000 rate gauge is fitted with 1" MNPT process connections (flanged process connections are also available). The standard sight tube is 1" O.D. glass, which makes it ideal for viscous liquids.

SPECIAL GAUGE APPLICATION - CHEMICAL INJECTION SYSTEMS

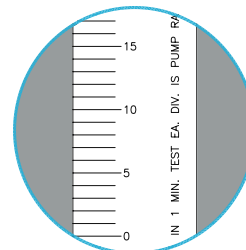
5700, 7000 and 17000 gauges are used to calibrate chemical injection systems. The injection rate of a chemical metering pump is checked by closing a valve between the gauge and the chemical storage tank and observing the change in fluid height in one minute. Using the rate scale on the front of the polycarbonate shield, count the number of marks the fluid level passed during the one minute test period. This will give you the actual chemical pump rate. If the rate is not the one desired, make an adjustment to the chemical pump feed rate, and conduct as many one minute tests as is necessary to set the chemical pump to the rate desired. If a higher pump rate is required, the test period can be shortened to 30 seconds or 15 seconds or lengthened to a 2 minute test.



Silk screened rate/height shield calibrated in quarts per day (5700/7000), gallons per day (17000), milliliters per minute and height in inches

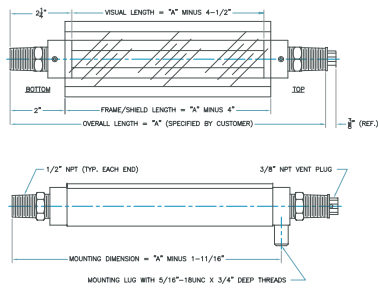


Silk screened metric rate/height shield calibrated in liters per day, milliliters per minute and height in centimeters

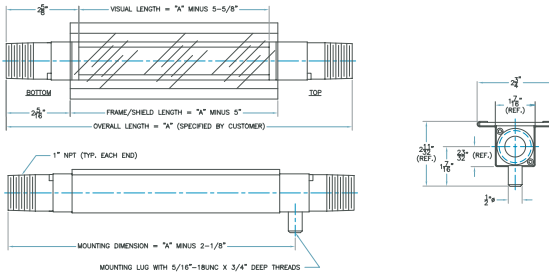


Custom engraved shield with scale(s) to meet your application requirements (tank volume, percent, etc.)

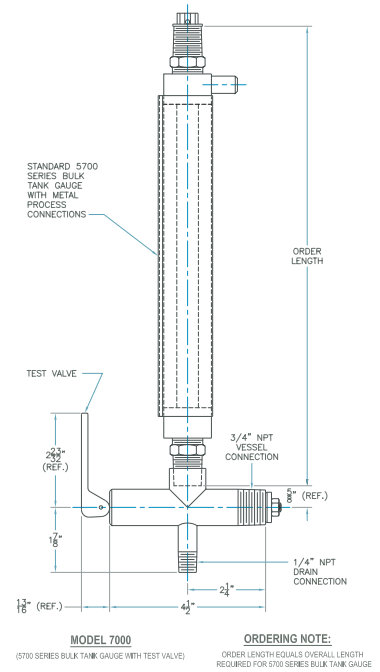
5700 RATE GAUGE



17000 RATE GAUGE



7000 RATE GAUGE



ORDERING SYSTEM

5700, 7000 & 17000 Injection Rate Gauges

REQUESTED BY: _____ COMPANY: _____

ADDRESS: _____ CITY: _____ STATE: _____ ZIP: _____

PHONE: _____ FAX: _____ EMAIL: _____

Gauge Style

5700=Gauge w/ 1/2" MNPT Connections
17000=Gauge w/ 1" MNPT Connections
7000=Gauge w/1/2" MNPT Connections & Test Valve with 3/4", & 1/4" MNPT Connections

• Flange not available for 7000 gauge

Flange Option

N=None (Leave Blank)
FL50=1/2" Flange
FL75=3/4" Flange
FL1.0=1" Flange
FL1.5=1 1/2" Flange
FL2.0=2" Flange

Overall Length of Gauge (Inches)

Material of Construction*

C=Zinc Plated Carbon Steel
A=Stainless Steel
W=316 Stainless Steel Wetted Parts w/Carbon Steel Frame
PC=PVC Wetted Parts w/Carbon Steel Frame
PS=PVC Wetted Parts w/ Stainless Steel Frame
Other (Please Specify)

• For flanged models, select options C, A, PC or PS only

Seal Material

V=Fluorocarbon
A=Aflas
B=Buna-N
T=(5700/7000) PTFE (17000) FEP Encapsulated Silicone
E=Ethylene Propylene

Shield Options**

L=Clear Polycarbonate
H=Height Scale
RH=Rate Height Scale
MH=Metric Height Scale
MRH=Metric Rate Height Scale
M=Expanded Metal

Sight Tube Options***

GS=5/8" O.D. Glass (5700/7000) 1" O.D. Glass (17000)
RL=5/8" O.D. Redline Glass (5700) 1" O.D. Redline Glass (17000)

Maximum Working Pressure (PSIG)

Maximum Operating Temperature (°F)

Steam

S=Steam Application
NS=Non-Steam Application

• Example Order Number: 5700-52-A-T-RH-GS-ATM-110-NS

* PC & PS option not available on 7000 series injection rate gauge

** See page 8 or visit www.kenco-eng.com for shield descriptions

*** Based on application data provided, Kenco will select the appropriate sight tube material, i.e. high pressure glass.