

Series J5 Electronic Metering Pumps

Configuration

Model **J54D-152S**

Control & Output Code

Instrument Responsive/Manual Control
12 VDC powered pump. Speed (stroking frequency) and stroke length manually adjustable. Speed (stroking frequency) may be externally controlled for automatic systems.

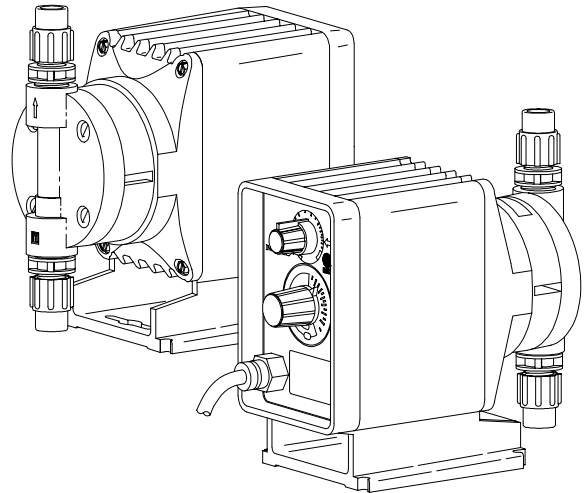
J54D - 1.6 l/h -- (0.42 GPH) ----- 9.7 Bar (140 psi)

J55D - 3.8 l/h -- (1.0 GPH) ----- 4.1 Bar (60 psi)

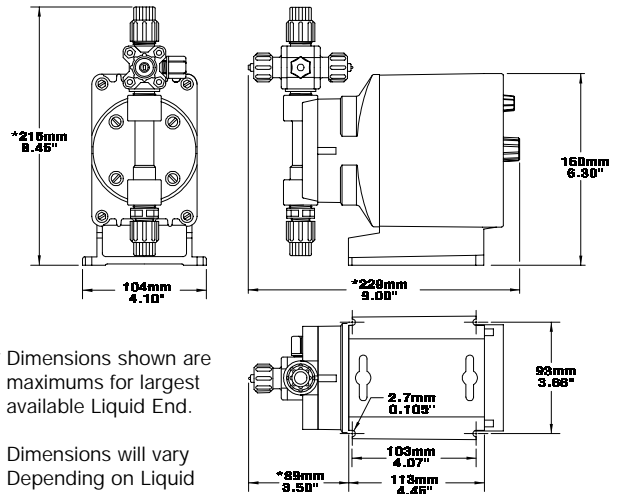
J56D - 7.6 l/h -- (2.0 GPH) ----- 1.4 Bar (20 psi)

Liquid End

See next page for complete liquid end specifications & selection.



Dimensions



Specifications

Series	Strokes per Minute (adjustable)		Stroke Length (adjustable) recommended minimum	Average Input Power @ Max Speed	Shipping Weight
	MIN	MAX			
J54D			30%		
J55D	5	100	20%	22 watts	3.5 kg (7.6 lbs)
J56D			20%		



8 Post Office Square
Acton, MA 01720 USA
TEL: (978) 263-9800
FAX: (978) 264-9172
<http://www.lmipumps.com>



Configuration Data & Materials of Construction

DRIVE ASSEMBLY	LIQUID END NO.	SIZE CODE	MATERIALS OF CONSTRUCTION				ACCESSORY	TUBING & CONNECTIONS
			HEAD & FITTINGS	BALLS	LIQUIFRAM™	SEAL RINGS		
J54D ■ -	151	0.5	Polypropylene	Ceramic	Fluorofilm™	Polyprel®		PE .250" O.D.
	151P	0.5	Polypropylene	Ceramic	Fluorofilm™	Polyprel®		Pipe 1/4" NPT M
	151S	0.5	Polypropylene	Ceramic	Fluorofilm™	Polyprel®	4FV	PE .250" O.D.
	152	0.5	PVDF	Ceramic	Fluorofilm™	Polyprel®		PE .250" O.D.
	152S	0.5	PVDF	Ceramic	Fluorofilm™	Polyprel®	4FV	PE .250" O.D.
	158	0.5	PVC	Ceramic	Fluorofilm™	Polyprel®		PE .250" O.D.
	158S	0.5	PVC	Ceramic	Fluorofilm™	Polyprel®	4FV	PE .250" O.D.

J55D ■ -	191	0.9	Polypropylene	Ceramic	Fluorofilm™	Polyprel®		PE .375" O.D.
	191S	0.9	Polypropylene	Ceramic	Fluorofilm™	Polyprel®	4FV	PE .375" O.D.
	192	0.9	PVDF	Ceramic	Fluorofilm™	Polyprel®		PE .375" O.D.
	192S	0.9	PVDF	Ceramic	Fluorofilm™	Polyprel®	4FV	PE .375" O.D.
	198	0.9	PVC	Ceramic	Fluorofilm™	Polyprel®		PE .375" O.D.
	198S	0.9	PVC	Ceramic	Fluorofilm™	Polyprel®	4FV	PE .375" O.D.

J56D ■ -	161	1.8	Polypropylene	Ceramic	Fluorofilm™	Polyprel®		PE .375" O.D. Discharge Vinyl .375" O.D. Suction
	161S	1.8	Polypropylene	Ceramic	Fluorofilm™	Polyprel®	4FV	PE .375" O.D. Discharge Vinyl .375" O.D. Suction
	162	1.8	PVDF	Ceramic	Fluorofilm™	Polyprel®		PE .375" O.D.
	162S	1.8	PVDF	Ceramic	Fluorofilm™	Polyprel®	4FV	PE .375" O.D.
	168	1.8	PVC	Ceramic	Fluorofilm™	Polyprel®		PE .375" O.D.

■ See front page for voltage code specifications.

4-FV indicates that the pump is equipped with an LMI Four Function Valve. This diaphragm type anti-syphon/pressure relief valve is installed on the pump head. It provides anti-syphon protection and aids in priming even under pressure.

All liquid ends listed above except LE-151P are available with UV resistant tubing for outdoor installations. To order a pump with UV resistant tubing, add a U to the end of the liquid end number, i.e. LE-151SU.

Fluorofilm™ is a copolymer of PTFE and PFA. Polyprel® is an elastomeric PTFE copolymer. Fluorofilm™ is a trademark of Liquid Metronics, Inc. Polyprel® is a registered trademark of Liquid Metronics, Inc.

Output Information

Series	Liters per Hour		Gallons per Hour		mL/cc per minute		mL/cc per Stroke		Maximum Injection Pressure
	MIN	MAX	MIN	MAX	MIN	MAX	MIN	MAX	
J54D*	0.024	1.6	0.006	0.42	0.40	27	0.08	0.27	9.7 Bar (140 psi)
J55D*	0.038	3.8	0.010	1.0	0.63	63	0.13	0.63	4.1 Bar (60 psi)
J56D*	0.076	7.6	0.020	2.0	1.27	127	0.25	1.27	1.4 Bar (20 psi)

* Minimum output can be reduced to zero (0) when in external mode.