

Configuration Data

Model **U04** **1** - **281** **TT**

Series U

Electronic Metering Pumps

Control & Output Code

Manual Control

Speed (stroking frequency) fixed and stroke length manually adjustable.
 U01 -- 6.0 GPD (0.95 l/h) --- 80 psi (5.5 Bar)
 U02 -- 12.0 GPD (1.9 l/h) --- 80 psi (5.5 Bar)
 U03 -- 24.0 GPD (3.8 l/h) --- 80 psi (5.5 Bar)
 U04 -- 30.0 GPD (4.8 l/h) --- 80 psi (5.5 Bar)

Dual Manual Control

Speed (stroking frequency) and stroke length manually adjustable.
 U12 -- 12.0 GPD (1.9 l/h) --- 80 psi (5.5 Bar)
 U13 -- 24.0 GPD (3.8 l/h) --- 80 psi (5.5 Bar)
 U14 -- 30.0 GPD (4.8 l/h) --- 80 psi (5.5 Bar)

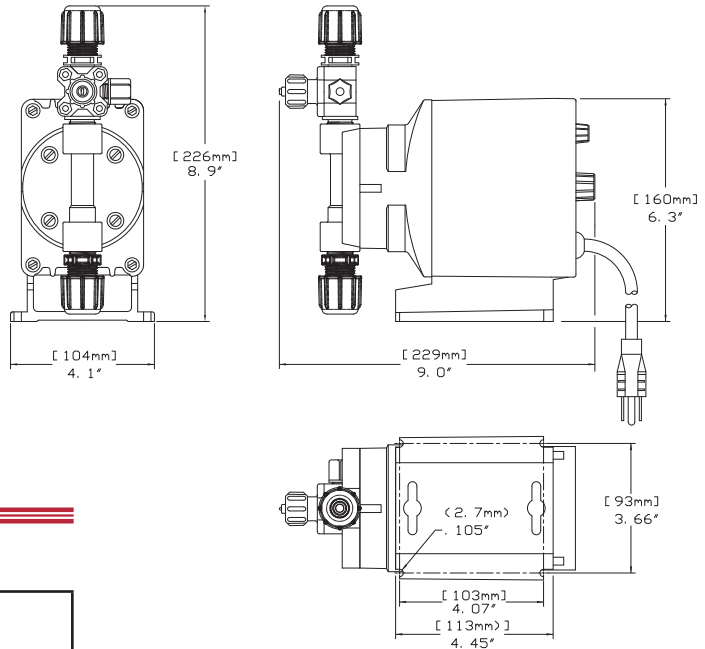
Voltage Code

1 ----- 120 VAC US Plug
 2 ----- 240 VAC US Plug (not suitable for export)
 3 ----- 220-240 VAC DIN Plug
 5 ----- 240-250 VAC, UK Plug
 6 ----- 240-250 VAC, Aust./NZ Plug
 7 ----- 220 VAC, Swiss Plug

Liquid End

PVC head & fittings, Fluoro Film™ Liquifram™ and Cartridge Valves

Dimensions



Specifications

Series	Strokes Per Minute		Stroke Length (Adjustable) Recommended Minimum	Maximum Current @ 120 VAC	Shipping Weight
	Min	Max			
U01	fixed – 25		20%	1.4 amps	8 lbs (3.6 kgs)
U02	fixed – 60				
U03	fixed – 100				
U04	fixed – 100				
U12	1	60			
U13	1	100			
U13	1	100			

Output Information

Model	Gallons per Day		Gallons per Hour		Liters per Hour		mL/cc per Min		mL/cc per Stroke		Maximum Injection Pressure	
	Min	Max	Min	Max	Min	Max	Min	Max	Min	Max		
U01	1.2	6.0	0.05	0.25	0.19	0.95	3.2	16	0.13	0.63	80 psi	(5.5 Bar)
U02	2.4	12.0	0.10	0.5	0.38	1.9	6.3	32	0.11	0.53	80 psi	(5.5 Bar)
U03	4.8	24.0	0.20	1.0	0.76	3.8	12.6	63	0.13	0.63	80 psi	(5.5 Bar)
U04	6.0	30.0	0.25	1.25	0.95	4.7	15.8	79	0.16	0.79	80 psi	(5.5 Bar)
U12	0.04	12.0	0.002	0.5	0.006	1.9	0.11	32	0.11	0.53	80 psi	(5.5 Bar)
U13	0.05	24.0	0.002	1.0	0.008	3.8	0.13	63	0.13	0.63	80 psi	(5.5 Bar)
U14	0.06	30.0	0.003	1.25	0.010	4.7	0.16	79	0.16	0.79	80 psi	(5.5 Bar)

Uni-Dose®

201 Ivyland Road
 Ivyland, PA 18974 USA
 TEL: (215) 293-0401
 FAX: (215) 293-0445
<http://www.lmipumps.com>