

AUSTRALIAN BILLY CART CHAMPIONSHIPS

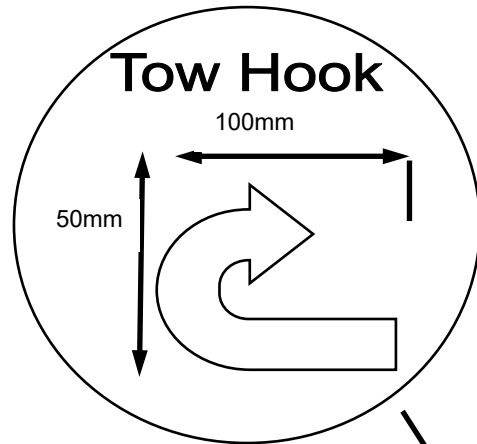
2018

Corowa, NSW

Billy cart construction requirements to operate from an automated starting ramp. These requirements as to height, wheel base and overall length will have to be met by competitors to operate from the starting ramp system in place for the championships.



Specifications provided as a guide only



Billy Cart Specifications

Maximum dimensions 1000mm wide x 1600mm long (axle to axle).

150mm minimum road clearance.

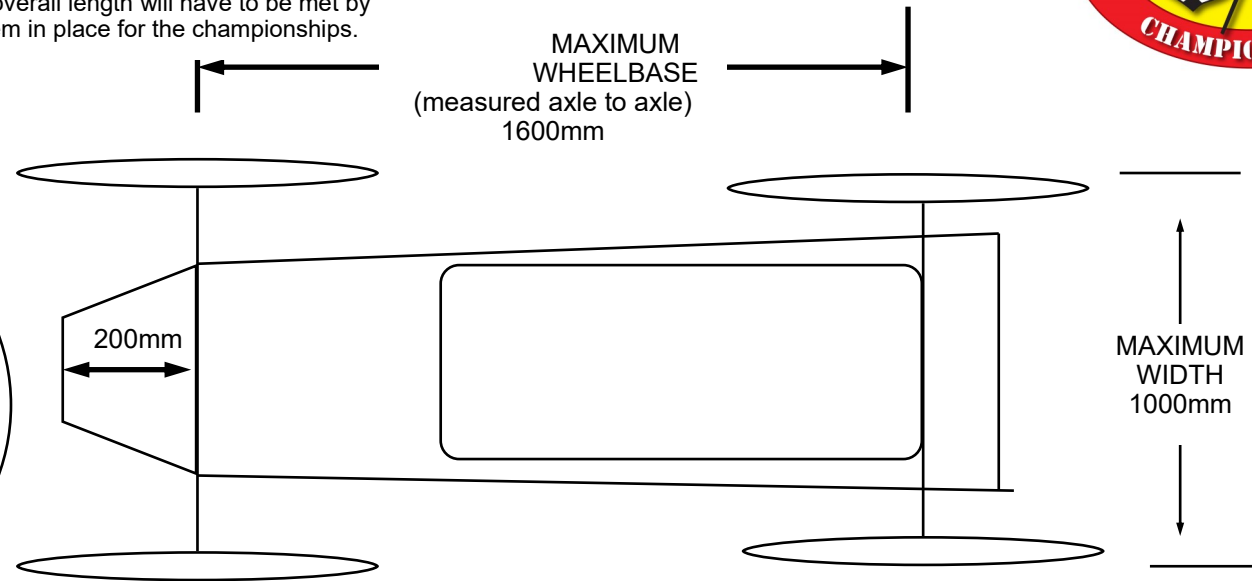
Maximum cart weight is 80kg. (It is recommended that Billy Carts do not exceed 50kg as this may affect ramp exit speed).

The billy cart must have a working brake. Brakes requiring removal of hand/s from the steering system of the Billy Cart to apply will not be permitted.

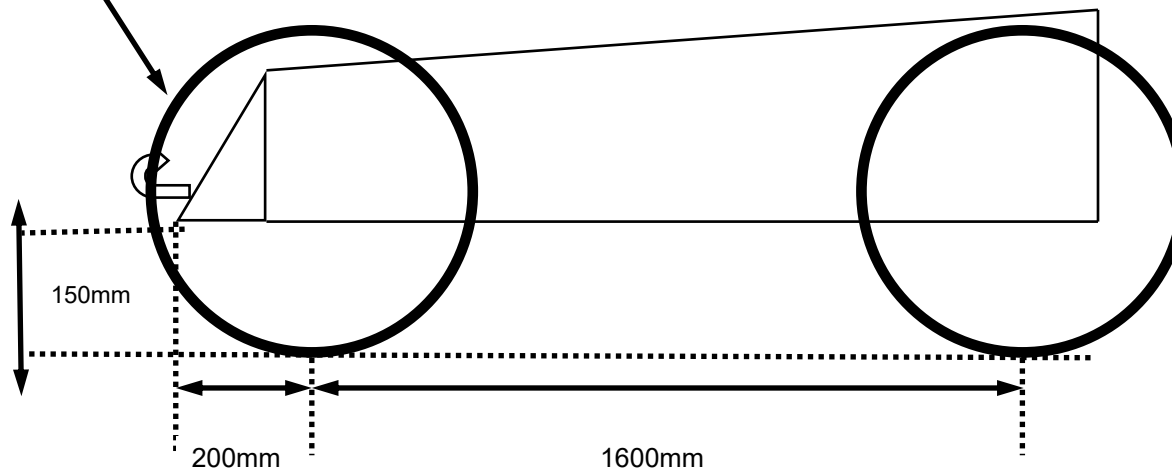
Weights or ballast can't be placed or attached to the billy cart.

The billy cart must have an adequate steering mechanism

All Billycarts must pass scrutineering by the Event Organisers.



Please Note:
This is a concept design and is to show the dimensions required for the Australian Billy Cart Championship starting ramps.



Driver Requirements

An approved Cycling or Equestrian helmet MUST BE WORN

It is strongly recommended that drivers also wear Knee/elbow pads, Long sleeved shirt or jumper, Long pants, Boots or shoes (No thongs, sandals, or bare feet)

Each driver must be able to control the steering and brakes

The same cart can only be used by one driver in each category

The length of the actual ramp from the very top down to the point at which the gate is raised is 2.9m.
The height of the starting gate is 300mm