

AUSTRALIAN BILLY CART CHAMPIONSHIPS

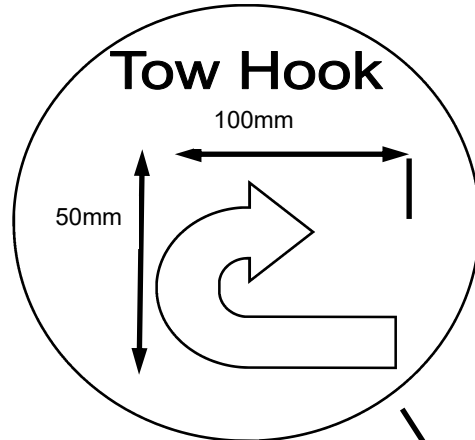
2019

Corowa, NSW

Billy cart construction requirements to operate from an automated starting ramp. These requirements as to height, wheel base and overall length will have to be met by



Specifications provided as a guide only



Billy Cart Specifications

Maximum dimensions 1000mm wide x 2200mm long (front extremity to rear axle, rear body work overhang is permitted). Minimum road clearance, if it clears the ramp and road it passes.

Maximum cart weight is 80kg.

The billy cart must have a working brake.

Brakes requiring removal of hand/s from the steering system of the Billy Cart to apply will not be permitted.

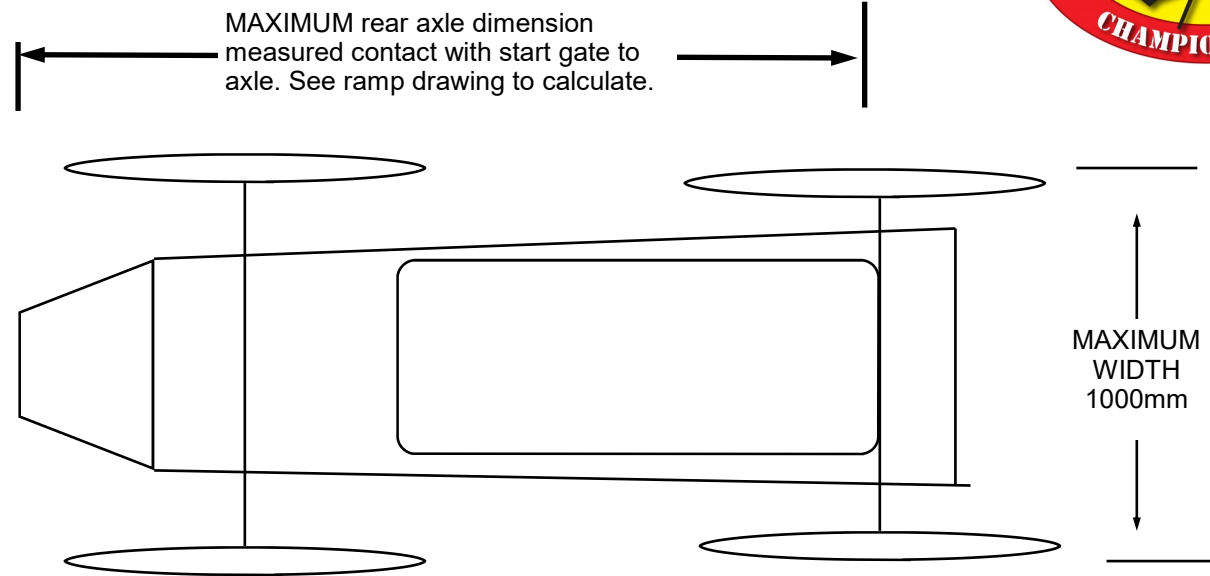
Weights or ballast can't be placed or attached to the billy cart.

The billy cart must have an adequate steering mechanism

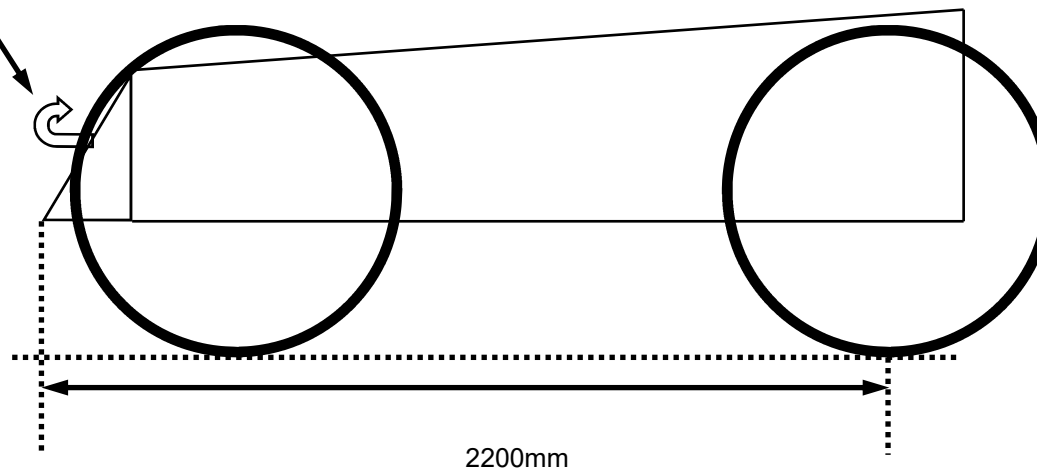
All Billycarts must pass scrutineering by the Event Organisers.

It is recommended that something other than the front wheels rest on the start gate to prevent steering problems.

Carts deemed unsafe will not be permitted to complete.



Please Note:
This is a concept design and is to show the dimensions required for the Australian Billy Cart Championship starting ramps.



Driver Requirements

An approved Cycling or Equestrian helmet MUST BE WORN

It is strongly recommended that drivers also wear Knee/elbow pads, Long sleeved shirt or jumper, Long pants, Boots or shoes (No thongs, sandals, or bare feet)

Each driver must be able to control the steering and brakes

The same cart can only be used by one driver in each category

The length of the actual ramp from the very top down to the point at which the gate is raised is 2.23m. The height of the starting gate is 310mm The rear wheel must not overhang the ramp. For more detail see ramp drawing.